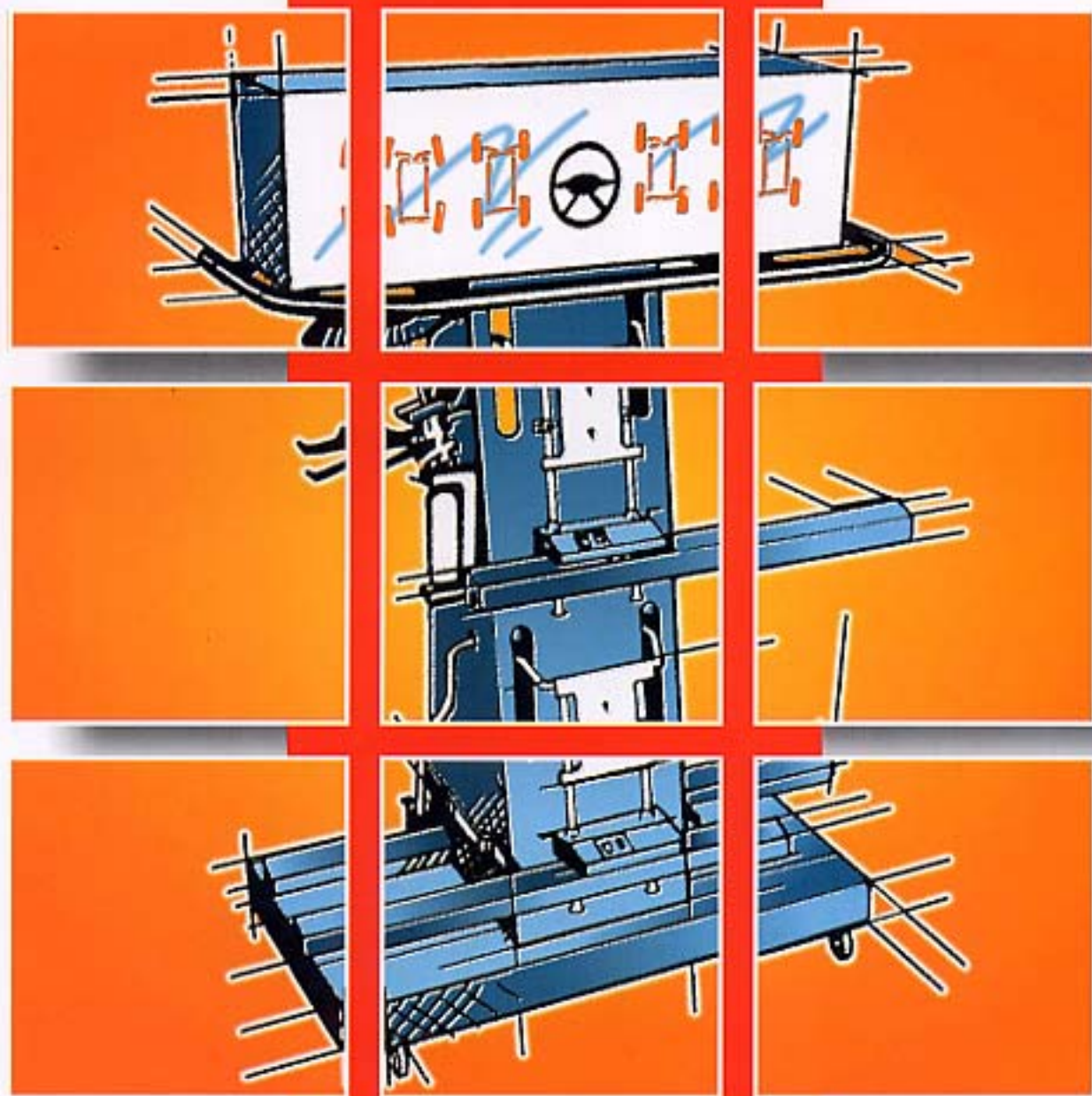


balco



A100 / 200

Optical Wheel Alignment Systems

Introduction

Firmly established as the industry standard, the Balcolign A100 and A200 Series of optical wheel alignment systems provide the user with speedy and accurate geometry checks essential for today's vehicle technology.

Utilising a simple yet proven method of attaching the measuring heads to the wheels, the complete system is set up and ready to use with the minimum of fuss, providing all necessary measurements in just minutes! Well constructed & maintenance free, and presented in a mobile, illuminated cabinet for increased merchandising appeal, the Balcolign Series is guaranteed to give years of lucrative service and become a major source of valuable revenue in any environment.

A100 'Classic'

Optical 4 Wheel Alignment System using light beams, provides individual front & rear toe, rear thrust line, set back and steering wheel position.

- MOBILE
- EASY TO USE
- NO LIFT REQUIRED
- HIGHLY PROFITABLE



A100E/200E

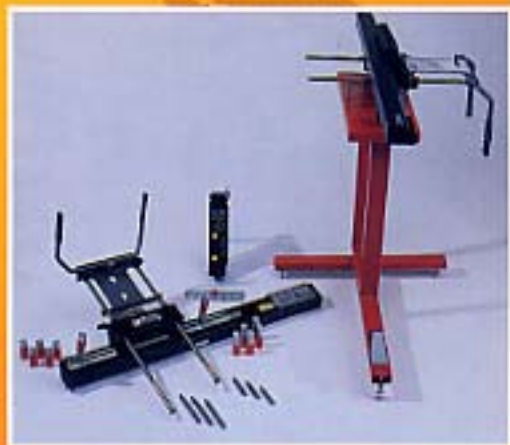
As A100 and A200 but supplied with an easy to use electronic Camber, Caster and SAI (KPI) gauge.



A200 MK3

As A100 but using advanced laser technology, providing a complete cable-free situation. The two laser heads automatically re-charge in docking stations when not in use. Intelligent charging system guarantees a full 10 hours operation time.

- LASER ACCURACY
- CABLE FREE
- AUTOMATIC RE-CHARGE
- 10 HOURS BATTERY OPERATION



Optional Accessories

Camber / Caster Gauge
Drop Arm Extensions 60mm – 100mm
Rim Button Extensions 35mm – 50mm
Calibration Frame



*“Essential
geometry checks
in minutes”*

Features

	A100	A200
Reads Toe, Setback & Steering Position	✓	✓
No Run Out required	✓	✓
Universal Mounting System	✓	✓
Mobile Cabinet	✓	✓
Logo Panel	✓	✓
Low Power Requirements	✓	✓
Robust Construction	✓	✓
Cable free	✓	✓
Laser Accuracy	✓	✓
Laser Intensity Mode	✓	✓
Laser Self Diagnostics	✓	✓
Auto Power Down	✓	✓
Automatic Charging	✓	✓
Intelligent Charging System	✓	✓
Measurement of Castor, Camber and SAI (KPI)	A100E	A200E

Specifications

Alignment Measurement Ranges

Total Toe:	Toe Out	20 mm
	Toe In	30 mm
Individual Toe:	+/-	10 mm
Setback:	up to	60 mm
Camber:	+/-	8°
Caster:	+/-	20°
SAI (KPI)	+/-	20°

Vehicle Measurement Ranges

Minimum Rim Diameter:	10"
Maximum Rim Diameter:	19"
(Dependent on tyre diameter)	
Maximum Tyre Diameter:	(890 mm) 35"
Wheel base:	1500 mm – 4000 mm
Track width:	1000 mm – 2500 mm
Power Supply:	230V. AC / 50Hz (110V. AC optional)
Shipping Dimensions (L x W x H)	1118 x 508 x 985 mm
Shipping Weight	72 Kg

Standard Accessories A100E/A200E

Steering Wheel Holder	✓
Brake Pedal Depressor	✓
Templates	✓
Toe Setting Chart	✓
Drop Arm Extension 60 mm	only A100
Alignment Specification Book	only A100E / 200E

Optional Accessories A100E/A200E

Camber / Caster Gauge	✓
A120 Wall System	✓
Rim Bullon Extensions 35 mm – 50 mm	✓
Drop Arm Extensions 100 mm	✓
60 mm	only A200
Collbration Frame	✓



Automotive Garage Equipment

www.agequipment.co.uk
For Further Information On This Product
Please Contact Us -
Email: info@agequipment.co.uk
Teleph one: +44(0)1527 69404
Facsimile: +44(0)1527 584437

balco

John BEAN